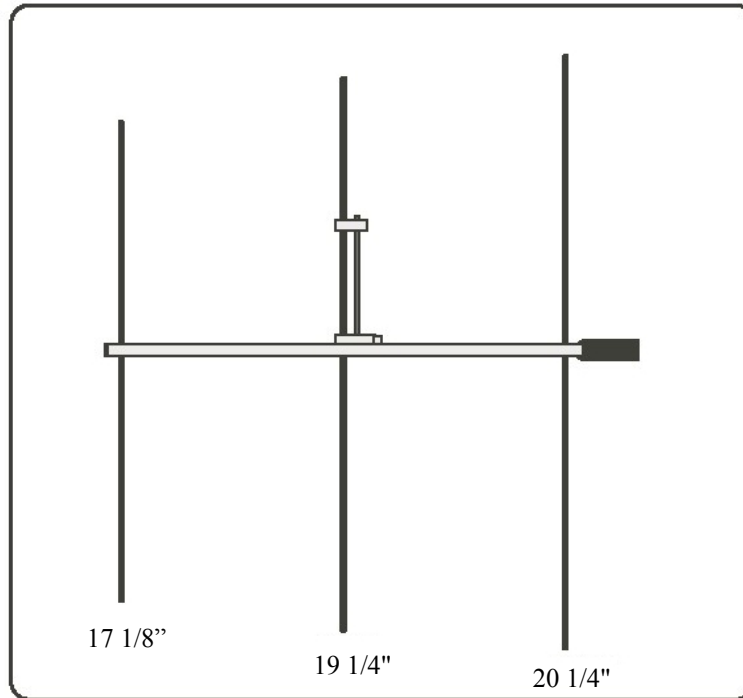


← Arrow Antenna →

911 E. Fox Farm Rd. #2
Cheyenne, WY 82007

ArrowAntennas.com
Simply the Best

(307) 222-4712
info@arrowantennas.com



3 Element Portable Antenna for 2 meters

The Arrow II line of antennas has been engineered to provide maximum gain and efficiency in the smallest practical size & weight. **ONLY 19 oz.**

Aluminum **Arrow Shafts** are used for elements.

The in-line gamma match is pre-assembled & pre-tuned. BNC connector only.

The boom is $\frac{3}{4}$ " square (with round corners) 37.5" long. Note the big black foam grip for easy holding.

Boom & elements all have plastic tips for safety.

Guarantee

No hassle refund

If you are not completely satisfied with any ARROW ANTENNA Product it can be returned for a FULL refund less shipping and handling within 90 DAYS of purchase date.

SIMPLY THE BEST

Model

146-3

3 Elements for the 2 meter band.

We don't invent antennas.
We simply build them better.

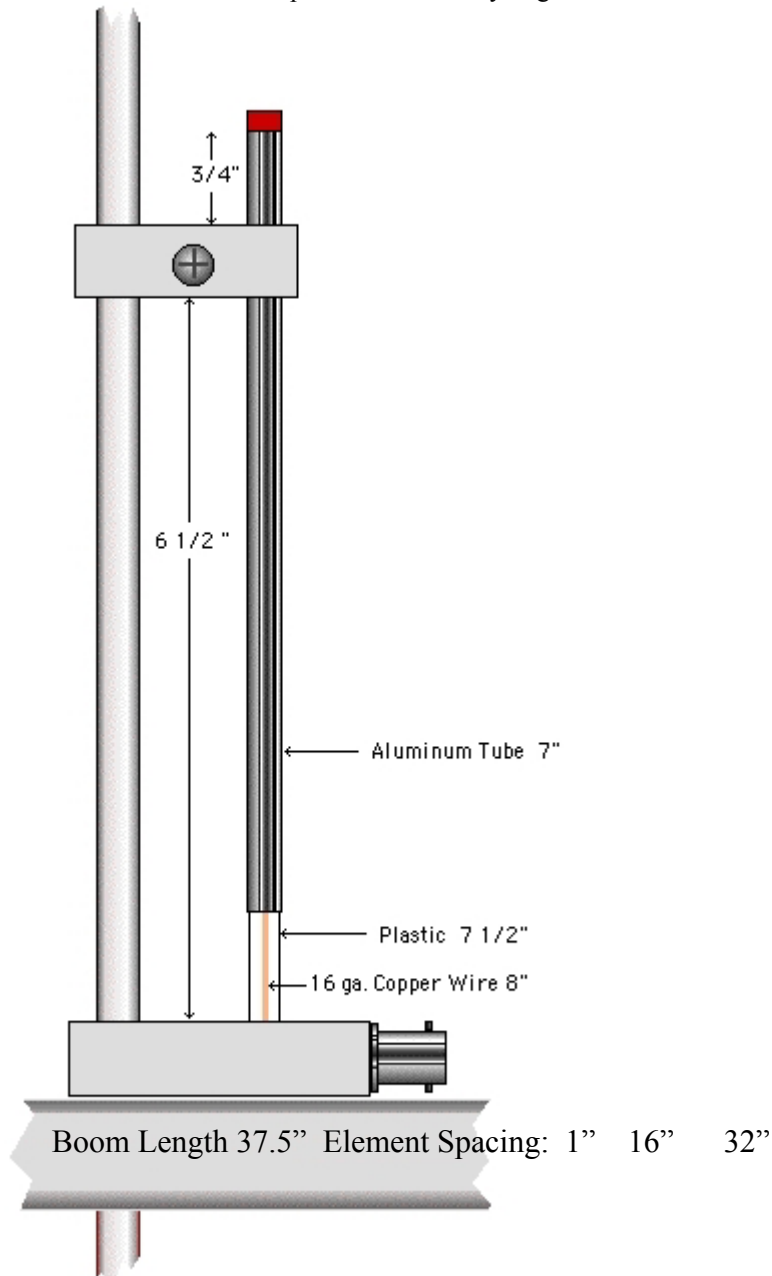
Part #	Price
14603	\$19.00
146 19.250	\$22.00
146 20.250	\$ 8.00
146 18.250	\$ 8.00
146 17.125	\$ 8.00
2.250	\$ 1.00
SC 9/32	\$ 1.00
FP 125	\$ 1.00

Model 146-3 Parts List

- 3 Element Hand Held Boom (3/4" X 37 1/2" Long)
 - 146 Driven Element Pair - with End Caps Inserts, & 2 1/2" Stud (19 1/4 ")
 - Reflector Element Pair - with End Caps, Inserts, & 2 1/4 " Stud (20 1/4 ")
 - 1st. Director Element Pair - with End Caps, Inserts, & 2 1/4" Stud (18 1/4 ")
 - 2nd. Director Element Pair - with End Caps, Inserts, & 2 1/4" Stud (17 1/8 ")
 - 2 1/4 " All Thread Stud for all Elements (2 for \$1.)
 - Red End Caps For Elements (10 for \$1.)
 - Black End Caps for the Boom (4 for \$1.)
- (Please add \$8.00 S & H per order. Thank you.)

Assembly Instructions

Attach the elements to the boom as shown above by screwing the elements together through holes in the boom. Attach feed lines to the BNC connectors. That's it. The antenna is pre-tuned and ready to go.



ASSEMBLY CHECKLIST FOR OUR SHIPPING DEPARTMENT.

Circle Antenna Being Assembled:

146-3

___ Solid Boom

___ 3 element holes

___ Hole are clear

___ 4 tripod holes

___ End Caps

___ Foam Handle Grip

___ 2 @ 20 1/4" elements

___ 1 @ 19 1/4" driven element.

___ 1 @ 19 1/4" non-driven element

___ 2 @ 17 1/8" elements

___ 3 studs