

← Arrow Antenna →

911 E. Fox Farm Rd. #2
Cheyenne, WY 82007

ArrowAntennas.com
Simply the Best

(307) 222-4712
info@arrowantennas.com

The OSJ146/440 does **NOT** require a ground plane.

Ideal for mounting:

- In an attic
- On a roof vent pipe
- On a wooden (or Metal) pole
- On Fiberglass or Plastic Vehicles
(Motorhomes, Trucks, **Boats**)

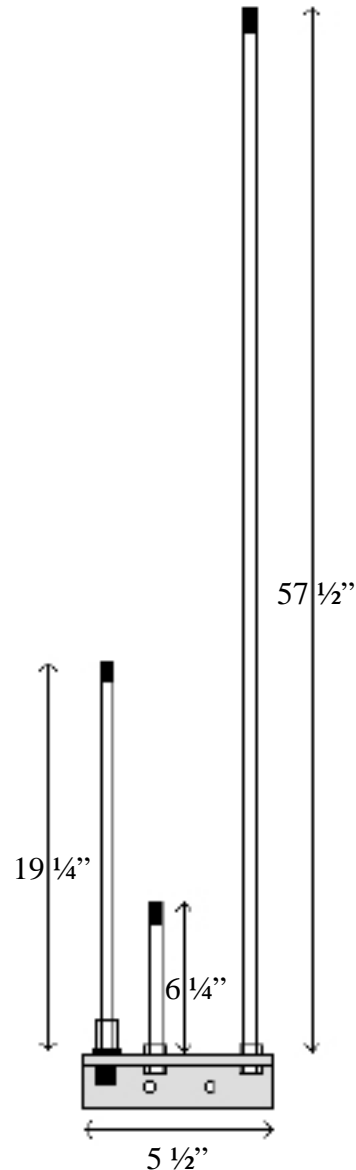
Mount it just about anywhere.

Single feed for both 2m & 70cm (SO239)

Covers 143-149 MHz & 430-450 MHz with a VSWR of less than 1.5:1.

Omni-Directional

The OSJ146/440 is a Heavy Duty Antenna. The elements are made from 3/8" solid aluminum with a heavy duty angle mounting bracket.



Model **OSJ 146/440** **Open Stub J-Pole**

We don't invent antennas.
We simply build them better.

Guarantee

No hassle refund

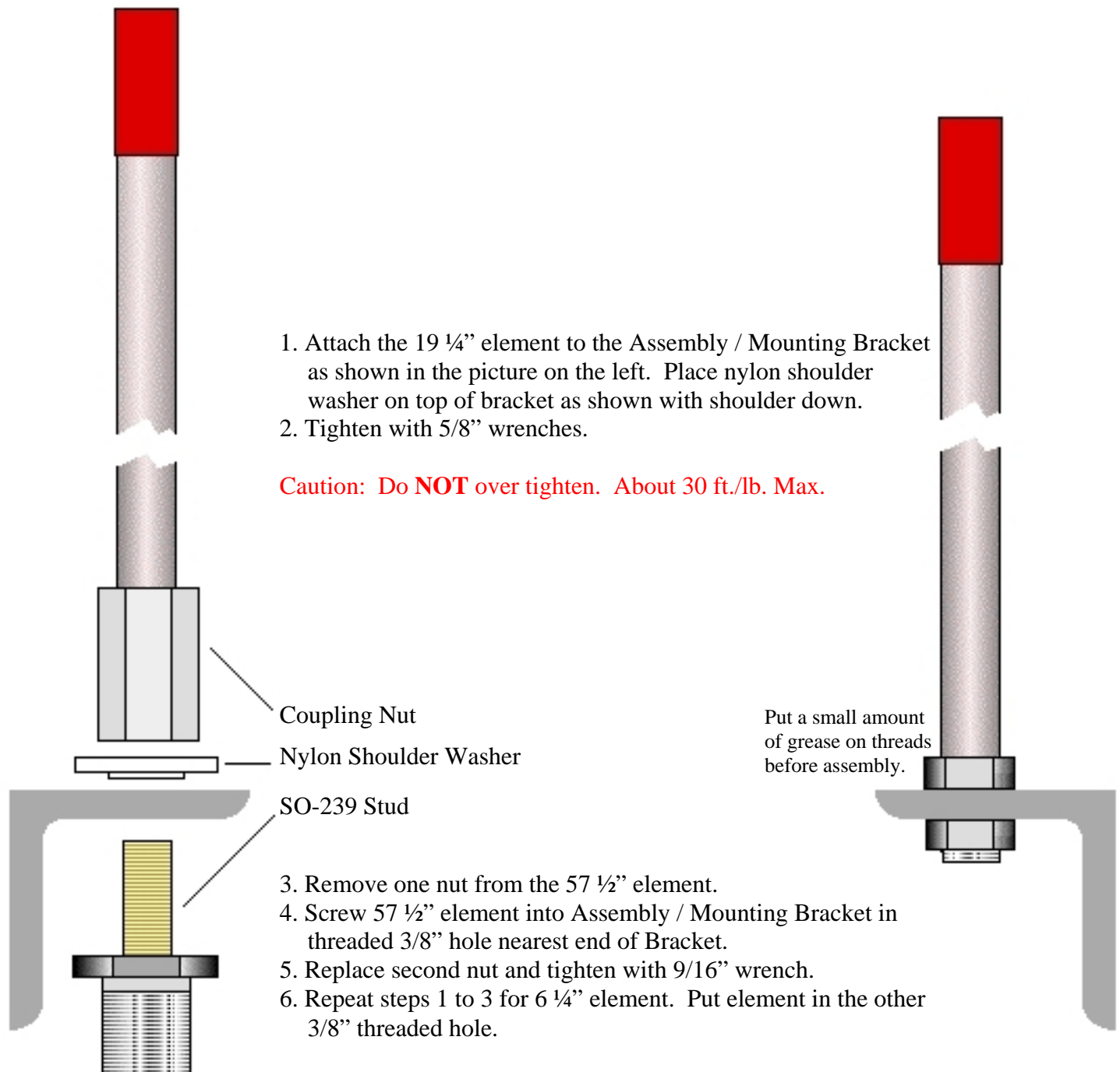
If you are not completely satisfied with any ARROW ANTENNA Product it can be returned for a FULL refund less shipping and handling within 90 DAYS of purchase date.

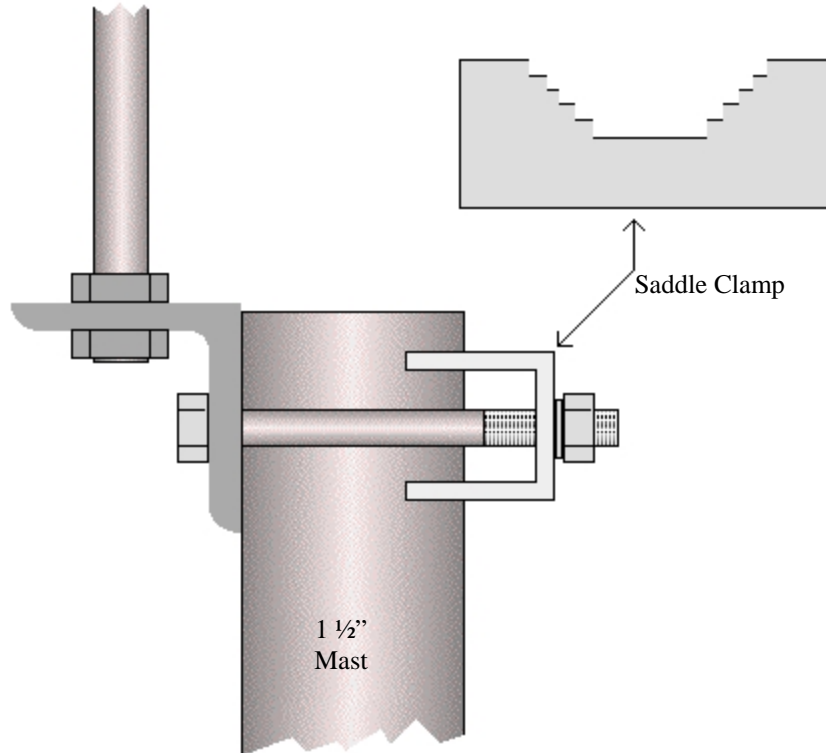
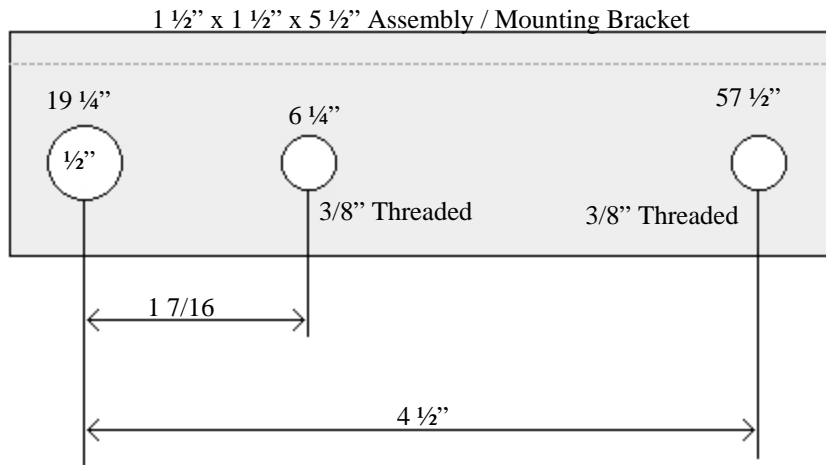
SIMPLY THE BEST

Part #	Price	Model OSJ 146/440 Packing List
J14611	\$10.	3/8" X 19 1/4" Element with Coupling Nut
J44012	\$6.	3/8" X 6 1/4" Element with 2 Stainless Jam Nuts.
J14613	\$15.	3/8" X 57 1/2" Element with 2 Stainless Jam Nuts.
J14623	\$23.	Custom 3/8" X 57 1/2" TWO Piece Element
J14614	\$20.	3/16" X 1 1/2" X 1 1/2" X 5 1/2" Assembly Bracket
52S206	\$4.	Saddle Clamp for mounting to Mast up to 1 1/2" - (2 for \$4.)
J14605	\$4.	SO-239 - 3/8-24 Antenna Mount
J14606	\$1.	Nylon Shoulder Washer for Antenna Mount above - (2 for \$1.)
25C275	\$1.	2 3/4" Bolt, Nut & Lock Washer (all Stainless)

(Please add \$8.00 S & H per order. Thank you.)

Assembly Instructions





SWR

SWR is basically a way of testing the impedance of your Antenna System. The Antenna System has two parts.

1. Coax and connectors.
2. Antenna.

Before you can test or tune the Antenna, you have to test the other half of the system **first**, the Coax & Connectors.

Brand New Coax can be Defective or Damaged.

To test the Coax you will need a 50 ohm Dummy Load and an SWR Meter or Antenna Analyzer.

Note: Some of the MFJ 269 Analyzers don't work right. - - ([eHam reviews on the MFJ269](#)) - - The MJF 259B works Great.

Connect the Dummy Load to the end of the coax instead of the Antenna. Connect SWR Meter or Antenna Analyzer to the other end of the coax.

Check the SWR on all frequencies. SWR should be 1.0:1 on all frequencies. If the SWR is not 1.0:1 or if the SWR varies with frequency, then the Coax is **Not** up to the task.

Important: Some Coax can test fine on VHF but not at UHF.

Also a known problem with some remote Antenna Switches.

Example from eHam Reviews

I have had my MFJ269 for about 5 years. It works ok. On VHF and HF it is dead on. But on UHF I do not trust it. I also have a Bird and I compared several antennas tuned with the MFJ269 and the Bird and the MFJ269 was wrong everytime on the UHF side. I killed one UHF final when I relied on the MFJ269 for tuning. This antenna was checked with the Bird after the finals died and was found to have an SWR of 5:1+. Yet when checked with the MFJ269 it showed fine. I now use the Bird for everything but HF tuning. The MFJ269 still seems to work ok in this range and is nice for tuning my Buddy Pole for portable ops. It will never see VHF or UHF antennas again.

More Mounting Tips

The OSJ 146/440 is not tolerant of metal above the assembly bracket. Make sure your mast does not extend above the assembly bracket. Also do not mount it near metal (above the assembly bracket). Keep it at least 10 feet from metal or other conductors.

The OSJ 146/440 gives better performance on the 70cm band when it is installed with 4 to 6 loops in the coax directly below the antenna. Loops should be 4 to 6" in diameter. This acts as a balun. See the picture below.



Lastly, grounding the antenna is not necessary for performance. But, it can be grounded for lightning protection by grounding the assembly bracket. This will not affect performance.

CHECKLIST FOR OUR SHIPPING DEPARTMENT

Circle Antenna Being Built:

OSJ 146/440 OSJ 146/440 ELC
(Two Piece Element)

___ 3/8" x 57 1/2" Element with 2 Stainless Jam Nuts.

___ 3/16" x 1 1/2" x 1 1/2" x 5 1/2" Assembly Bracket

OR

___ 3/8" x 57 1/2" **TWO Piece** Element with 2 Stainless Jam Nuts

___ 3/16" x 1 1/2" x 1 1/2" x 5 1/2" Assembly Bracket **with extra hole for split element.**

___ 3/8" x 19 1/4" Element with Coupling Nut

___ 3/8" x 6 1/4" Element with 2 Stainless Jam Nuts.

___ Saddle Clamp

___ SO-239 Stud & Nylon Shoulder Washer

___ 2 @ 2 3/4" Bolts, Nuts & Lock Washers for saddle